

MOHANA

DESIGNED BY TIM RUNDLE

ASSEMBLY INSTRUCTIONS





DISCLAIMER

ENSURE THAT ALL STEPS ARE FOLLOWED IN THE CORRECT ORDER AND
THAT NO STEP IS LEFT OUT.
A MINIMUM OF TWO PEOPLE ARE REQUIRED FOR ASSEMBLY.

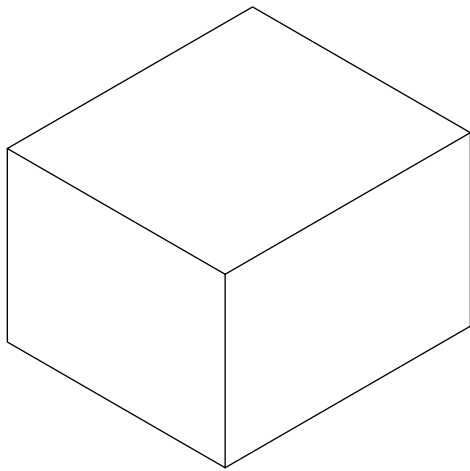
TO PREVENT ANY DAMAGE OF THE PRODUCT, DO NOT USE A BOX CUTTER,
KNIFE OR SHARP OBJECT TO OPEN THE BOXES.

DO NOT LIFT THE TABLE BY ITS TOP. IF YOU HAVE TO LIFT THE TABLE, LIFT
IT BY HOLDING ONTO THE METAL STRUCTURE.

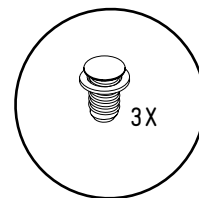
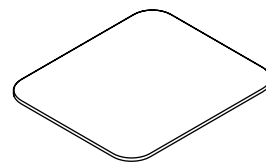
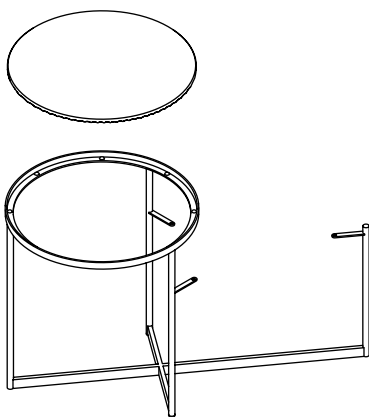
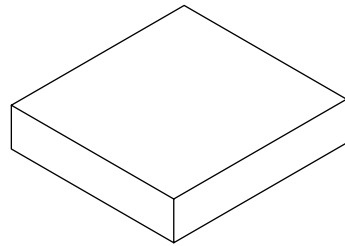
MOHANA

PACKAGING
PARTS

BOX WITH METAL BASE
AND GLASS TOP

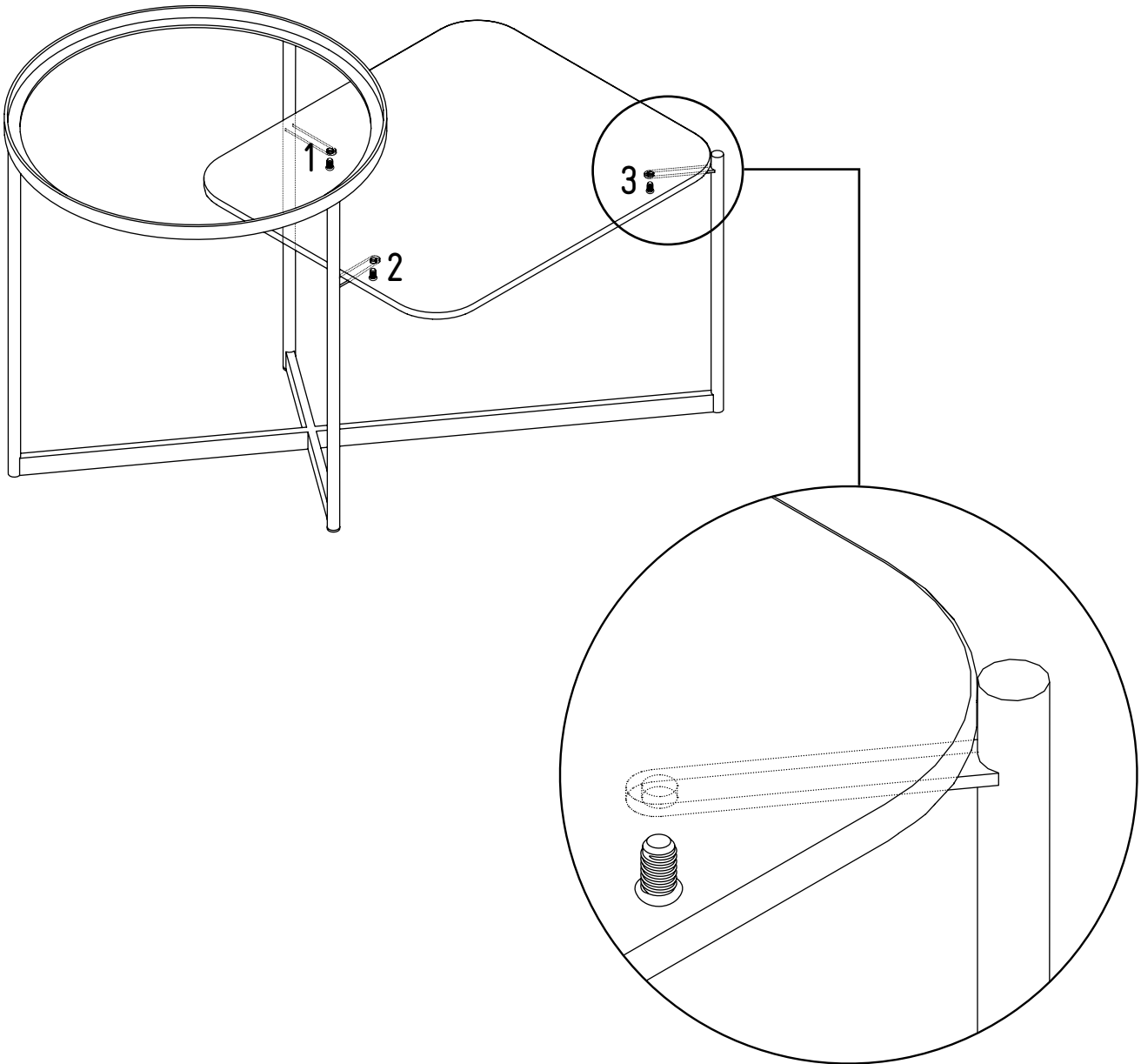


BOX WITH MARBLE TOP



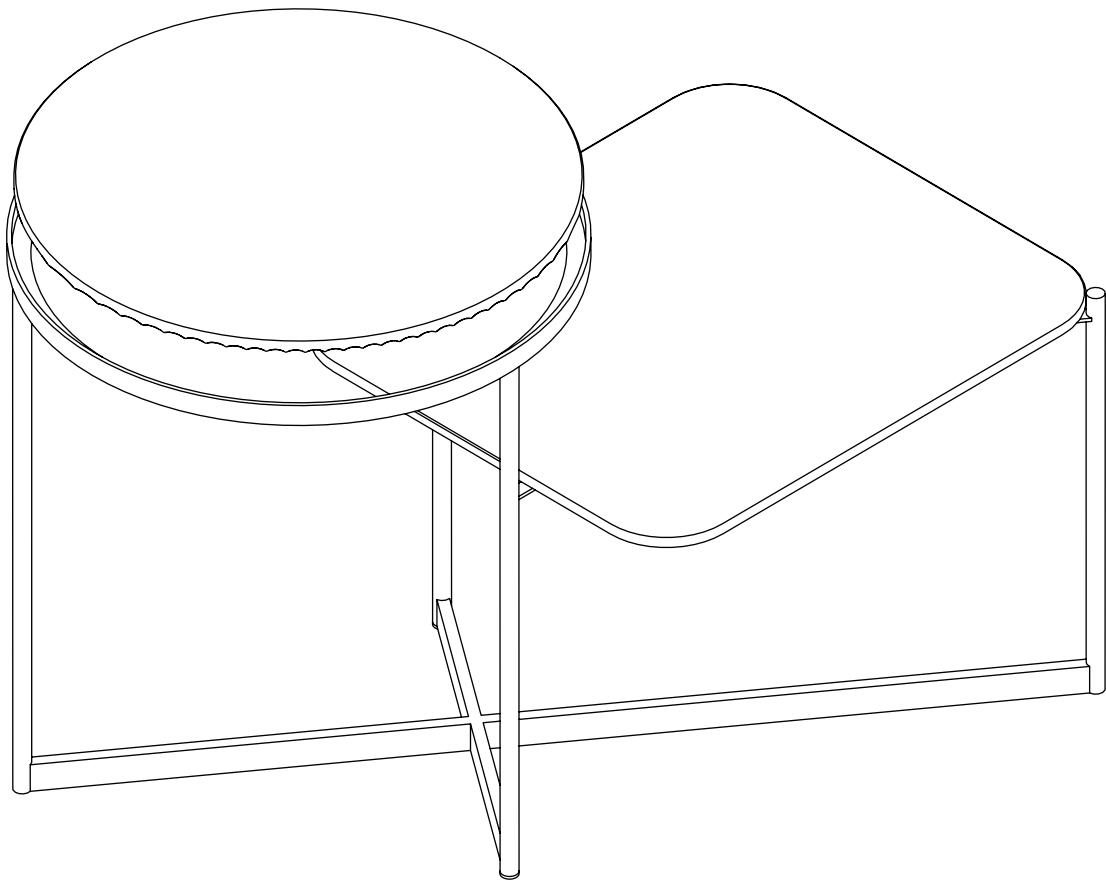
GLASS TOP,
METAL BASE WITH ALREADY
ASSEMBLED PLASTIC RUBBERS,

MARBLE TOP,
3 SCREWS

MARBLE TOP ASSEMBLY

REMOVE THE METAL STRUCTURE FROM ITS PACKAGING AND PLACE IT ON THE FLOOR.
REMOVE THE MARBLE TOP FROM ITS PACKAGING AND PLACE IT ONTO THE THREE FIXING POINTS OF THE STRUCTURE.
USE THE PROVIDED HARDWARE TO FIX ONE SCREW AFTER THE OTHER, TAKING CARE TO NOT TIGHTEN THE SCREWS TOO MUCH. WE SUGGEST TO BEGIN FIXING THE POINTS CONNECTED TO THE ROUND STRUCTURE FIRST (1&2), AND FINALLY FIX THE FREE STANDING LEG (3). YOU MIGHT NEED TO MOVE THE METAL PART SLIGHTLY IN ORDER TO BE ABLE TO INSERT THE LAST SCREW.

GLASS TOP ASSEMBLY



REMOVE THE GLASS TOP FROM ITS PACKAGING AND PLACE IT INTO THE ROUND SHAPE OF THE METAL STRUCTURE WITH THE COLOURED/FLUTED SIDE FACING DOWN. CHECK THE OVERALL STABILITY.

MOHANA

